



# TheTower 900

Design Collaboration by Thermaltake and Watermod France

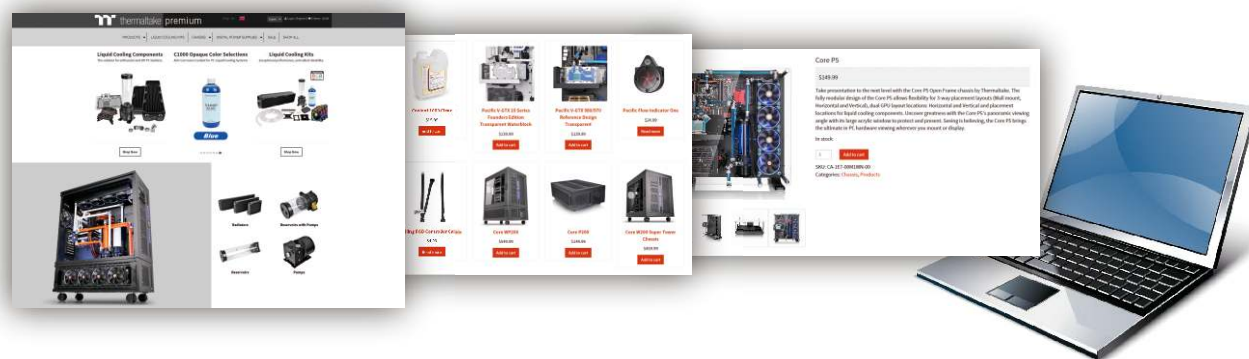


# Contents

Core Value of TT Premium -----	01
TT LCS Certified -----	02
Design Concept -----	04
Mass Production of The Tower 900 -----	05
The Tower 900 E-ATX Vertical Super Tower Chassis by Thermaltake -----	07
Design Collaboration by Thermaltake and Watermod France -----	10
5mm Thick Tempered Glass Window with a Stunning View -----	11
Superior Expansion -----	13
Outstanding Ventilation -----	15
Unparalleled Cooling Ability -----	16
DMD : Dismantlable Modular Design -----	18
The Tower 900 Radiator Support List -----	20
The Tower 900 Fan Support List -----	22
Specification -----	24

# Core Value of TT Premium

To continue achieving the corporate mission of delivering the perfect user experience, Thermaltake developed “TT Premium” with the essence of combining supreme quality products with a new logo design. TT Premium is far more than just a guarantee of quality. Behind the name, it represents the passion in DIY, Modding and Thermaltake’s desire to be the most innovative brand in the PC hardware market. To satisfy the demand of the high-end PC users, TT Premium follows its core values of Excellent Quality, Unique Design, Diverse Combinations and Boundless Creativity to provide a high performance PC product for every enthusiast.



Tt LCS Certified is a Thermaltake exclusive certification applied to only products that pass the design and hardcore enthusiasts standards that a true LCS chassis should be held to. The Tt LCS certification was created so that we at Thermaltake can designate to all power users which chassis have been tested to be best compatible with extreme liquid cooling configurations to ensure you get the best performance from the best features and fitment.



“ Every time I mod, I try to do something different from my other friends and modders. When I was invited to the Thermaltake’s CaseMOD competition, I completely rethought the Core X9. I wanted to build fully functional case with a unique design, and in the end I created Project The Tower. I was surprised when Thermaltake recognized the spirit of this project, and was even more shocked when they decided to mass produce it. Thank you Thermaltake for making my dreams come true. I hope that this design collaboration will be a great success!” expressed by Mathieu Heredia.

Commenting on this joint project, Kenny Lin, President and CEO of Thermaltake, said, “At Thermaltake, we have positioned ourselves as a key player in the Casemod market. We are always on the lookout for modding enthusiasts whose spirit is consistent with our own company values. It is a great honor for us to announce our strategic cooperation with Mathieu and Watermod France. We complement each other. We share the same values and we believe in Excellent Quality, Unique Design, Diverse Combinations and Boundless Creativity to provide a high performance PC product for every enthusiast.”

## Design Concept

Mathieu viewed the components of liquid cooling system as decorations, so he wanted to build a Core X9 with a stylish liquid cooling loop, not just with an eye-catching appearance. When Mathieu was looking for modding ideas, his job partner inspired him a lot. The Core X9 is a huge case, so his job partner suggested him to stand the Core X9 up. After changing the Core X9 to become a tower chassis, he started to use different angles to think about how to transform a normal case into a stunning one. This time, Mathieu decided to do something boldly!

Let’s begin from cutting the Core X9. After standing the case up, the top panel now is a front panel. In order to make the internal “decorations” more easily to be seen, Mathieu referred to the shape of the benchtable and sharp the whole front panel to design an open front Core X9. In terms of the color of his build, Mathieu kept the original color of snow Core X9, but some parts of panels were painted black to add authenticity. However, the color of the liquid cooling system will be another key factor to make Mathieu’s mod stands out from other competitor’s works. Mathieu wanted to create a strong visual effect, so he decided to choose blue as the color theme for his loops. After around one month’s hard working, with an exquisite appearance and reserved color scheme, yet retaining the classic style of the Core X9, the artwork was completed!

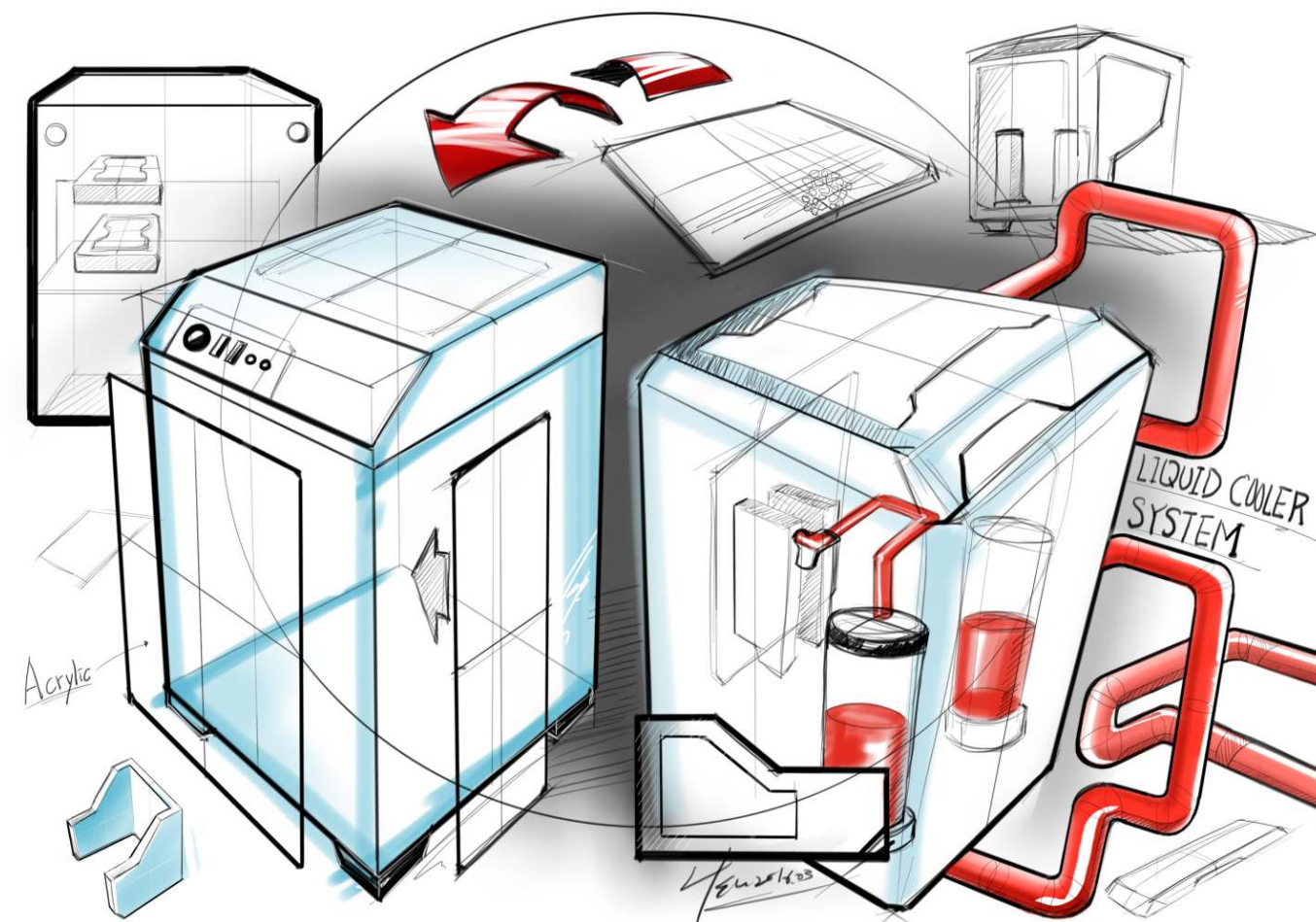
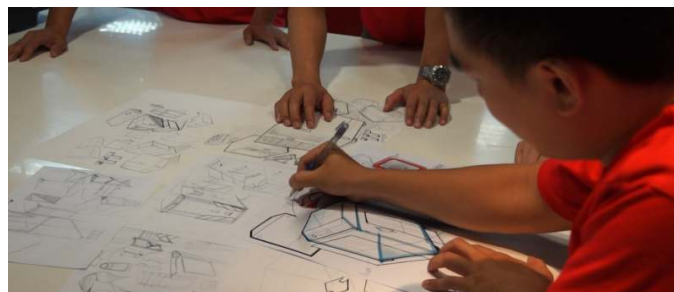




## Mass Production of The Tower 900

At 2015 Game Week, Thermaltake felt the passion of gamers and their insistence on the best gaming equipment, witnessing firsthand the rise of modding culture in France. These phenomena showed the market potential of French market is stronger than Thermaltake expected before. They also led Thermaltake CEO to consider ways in which he can show how much his company value the French market by promoting the casemod movement.

When Thermaltake CEO saw the final design at this year's CES, he realized the potential of mass production in "The Tower". The Tower has a highly unique appearance. Its vertical arrangement with an open front design is rare in the market. With "The Tower", in addition to displaying all the water cooling components, its user can exhibit extraordinary taste. Moreover, with slick lines in a streamlined style, "The Tower" has the kind of design that is most popular among current consumers. The background of Mathieu has made Thermaltake CEO even more determined to bring this collaboration to its fruition. As he was born and raised in France and has rich experience in casemod, the collaboration with him will certainly attract more interests from French PC enthusiasts.



## The Tower 900 E-ATX Vertical Super Tower Chassis by Thermaltake

Designed in collaboration with Watermod France, The Tower 900 by Thermaltake represents Thermaltake's passion for innovation, the spirit of Watermod France, and our vision to expand chassis design for enthusiasts to build into a new era of ESPORTS modding culture. The Tower 900 is the premium choice from TT Thermaltake supporting a vertical mounting design, high quality 5mm thick tempered glass panels, and unrivaled expansion capabilities for massive custom liquid cooling systems.







*Mathieu Heredia*

## Design Collaboration by Thermaltake and Watermod France

In collaboration with Watermod France, The Tower 900 reflects the passion for creating a new angle of chassis design. Inspiring the concept of vertical mounting, surrounded in durable tempered glass, The Tower 900 expands our vision to create a new era in ESPORTS modding culture, globally.

**TEMPERED  
GLASS  
5 mm  
THICKNESS**

## 5mm Thick Tempered Glass Window with a Stunning View

The large tempered glass panels feature 5mm thickness, and serve to simultaneously protect and showcase all components in the build. The Tower 900 is the perfect balance between functionality and aesthetics!





# Superior Expansion

The Tower 900 eliminates the issue with “GPU SAG” allowing vertical mounting of multi-GPU configurations on an E-ATX platform. Constructed with a chamber concept design, isolation of high capacity radiators allows additional interior space without compromising on maximum cooling performance. Capable of supporting dual-loop liquid cooling systems with modular capabilities allowing endless configurations, take on The Tower for your next showcase.



A “1+6+2” modular drive bay design allow users to easily install up to one 5.25”, six 2.5”/3.5” (with HDD cage) and two 2.5” (with HDD tray) storage devices. The removable drive device racks give users plenty of flexibility to gain maximum interior space needed for maximum cooling performance and proper cable management improving overall case ventilation.





## Outstanding Ventilation

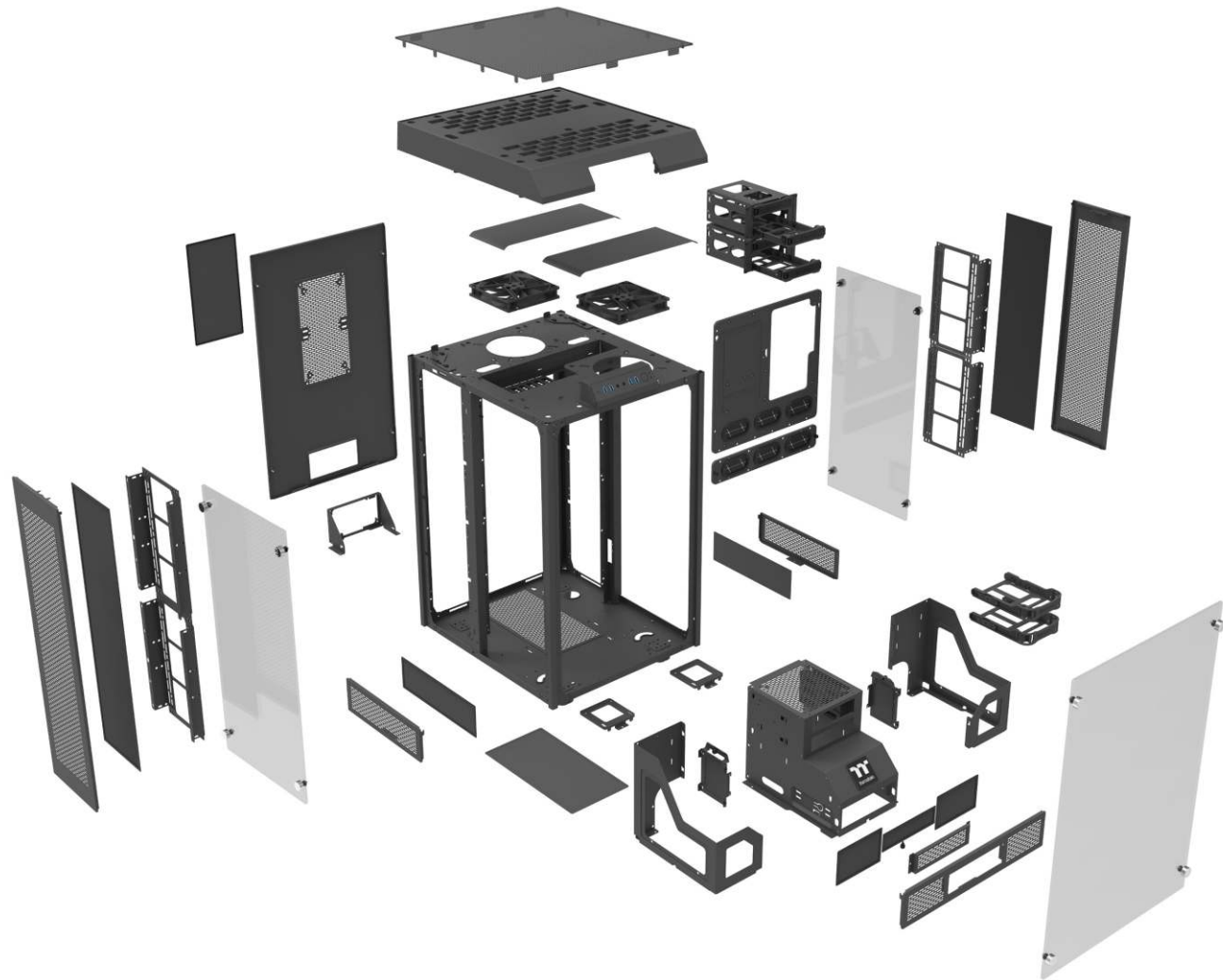
The right side and left side of the case are designed with various mounting points for radiators to provide proper space and placement when building DIY/AIO configurations.



## Unparalleled Cooling Ability

The Tower 900 has the capability to deliver excellent cooling efficiency, and enables users to build extreme air/liquid cooling systems with high-end, large graphics cards, treated by DIY/AIO liquid-cooling systems and air-cooling units. Supporting up to dual 560mm liquid cooling radiators, cooling possibilities just got real.

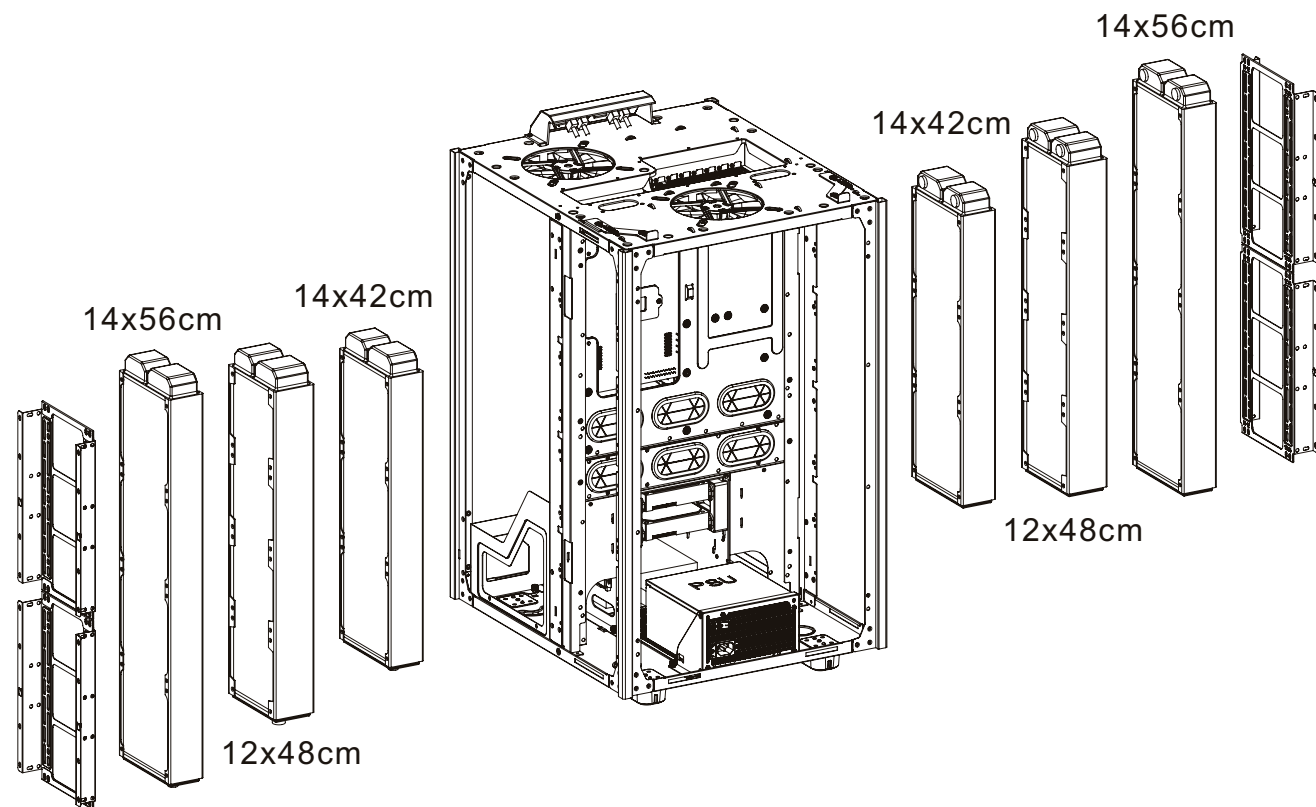




## DMD : Dismantlable Modular Design

The Tower 900 enables user to freely build the system from the ground up with given modular panels, racks, brackets, and pre-design mounting arrays. No more unreachable screw corners or gaps and enjoys installation in a breeze with Dismantlable Modular Design.

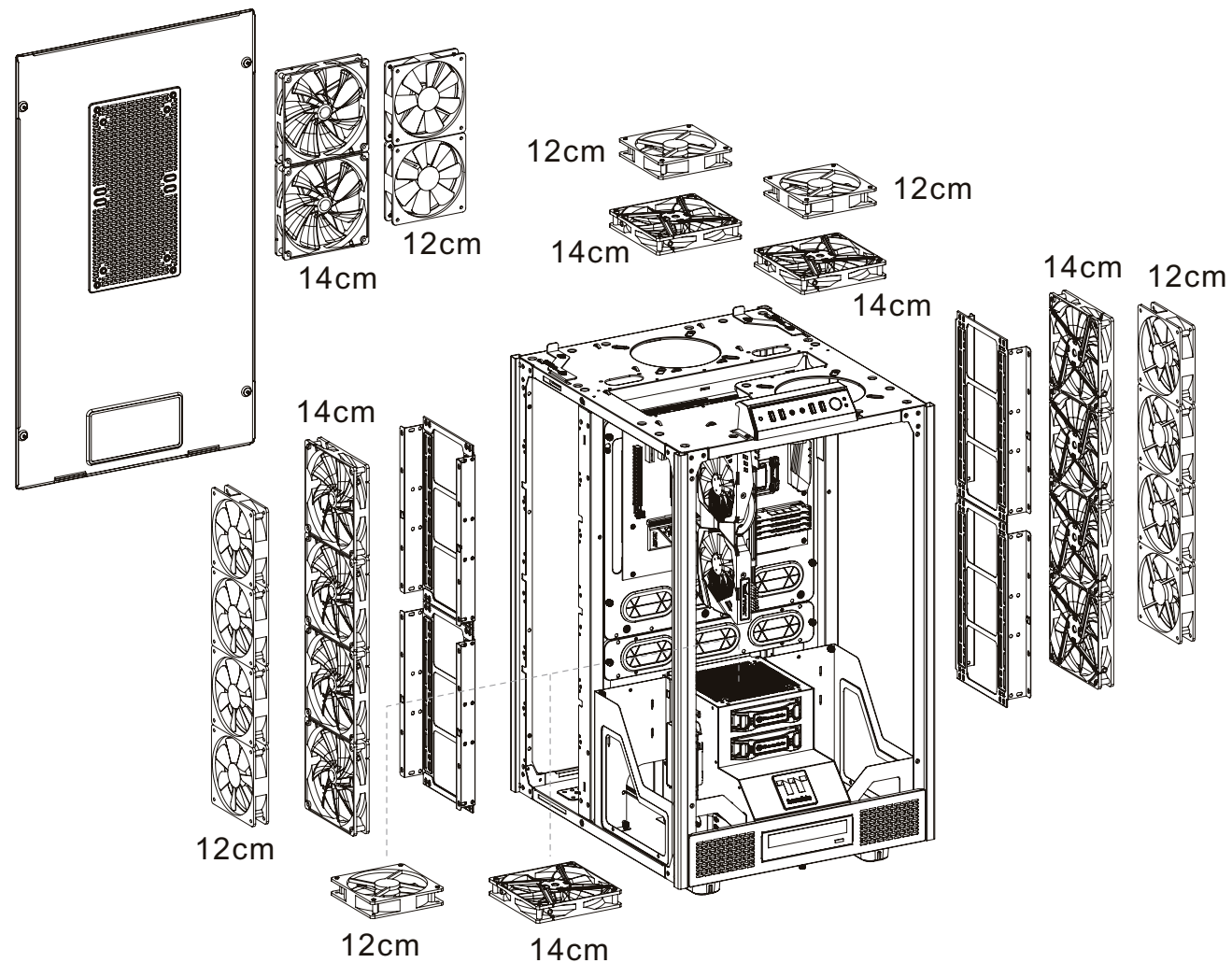




## The Tower 900 Radiator Support List

Radiator Compatibility List								
	120 mm	140 mm	240 mm	280 mm	360 mm	420 mm	480 mm	560 mm
L-Side	✓	✓	✓	✓	✓	✓	✓	✓
R-Side	✓	✓	✓	✓	✓	✓	✓	✓

All-in-One Compatibility List(Water 3.0 Series)			
	120 mm (Performer / Pro)	240 mm (Extreme)	360 mm (Ultimate)
HDD Cage	✓	✓	✓



## The Tower 900 Fan Support List

Fan Compatibility List		
	120 mm	140 mm
Left Side	4	4
Right Side	4	4
Top	2	2
Rear	2	2
HDD Cage	1	1

Thermaltake Compatible Fan		
	120 mm	140 mm
Pure Fan Series	✓	✓
Luna Fan Series	✓	✓
Riing Fan Series	✓	✓

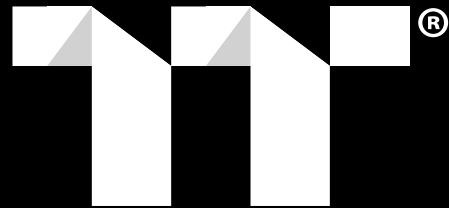
# The Tower 900

Design Collaboration by Thermaltake and Watermod France



Model	The Tower 900 / The Tower 900 Snow Edition
P/N	CA-1H1-00F1WN-00 / CA-1H1-00F6WN-00
Dimension (H*W*D)	752 x 423 x 483 mm (29.6 x 16.7 x 19 inch)
NetWeight	24.5 kg / 54lb
Side Panel	Tempered Glass x 3 (5mm thickness)
Color	Exterior / Interior : White
Material	SGCC
Cooling System	<b>Top (exhaust)</b> : 140 x 140 x 25 mm Turbo fan (1000rpm, 16dBA) x 2
Drive Bays	
- Accessible	1 x 5.25"
- Hidden	6 x 3.5" or 2.5" (With HDD Cage) 2 x 2.5" (With HDD tray)
Expansion Slots	8
Motherboards	6.7" x 6.7" (Mini ITX), 9.6" x 9.6" (Micro ATX), 12" x 9.6" (ATX) , 12" x 13" (E-ATX)
I/O Port	USB 3.0 x 4, HD Audio x 1
PSU	Standard PS2 PSU (optional)
Fan Support	<b>Left Side:</b> 4 x 120mm , 4 x 140mm <b>Right Side:</b> 4 x 120mm , 4 x 140mm <b>Top:</b> 2 x 120mm , 2 x 140mm <b>Rear:</b> 2 x 120mm , 2 x 140mm <b>HDD Cage:</b> 1 x 120mm , 1 x 140mm
Radiator Support	<b>Left / Right Side:</b> 1 x 480mm , 1 x 560mm
Clearance	CPU cooler height limitation: 260mm VGA length limitation: 400mm PSU length limitation: 220mm





thermaltake

#### Headquarter

##### Thermaltake Technology Co., Ltd.

Address : 5F., No.185, Sec.2, Tiding Blvd., Neihu Dist., Taipei City 114, Taiwan (R.O.C.)  
TEL : +886-2-8797-5788 FAX : +886-2-8797-8055  
E-MAIL : info@thermaltake.com  
www.thermaltake.com

#### Overseas Branch

##### Thermaltake (U.S.A.) Inc.

Address : 20420 Business Parkway, City of Industry, CA 91789, USA  
TEL : +1-626-968-9189 FAX : +1-626-968-7659  
SUPPORT : +1 800-988-1088  
E-MAIL : sales@thermaltakeusa.com  
www.thermaltakeusa.com

##### Thermaltake Germany GmbH

Address : Oststrasse 26, 22844 Norderstedt, Germany  
TEL : +49(0)40/30-85-86-0 FAX : +49(0)40/30-85-86-89  
E-MAIL : info@thermaltake.de  
de.thermaltake.com

##### Thermaltake Capital Beijing Co., Ltd.

Address : #907, HaiTai Plaza, No. 229, North 4th Ring Road, Haidian District, Beijing, 100083, PRC  
TEL : +86-10-8288-3159 FAX : +86-10-8288-3302  
E-MAIL : ttchina@thermaltake.com.cn  
www.thermaltake.com.cn

##### Thermaltake Australia and New Zealand Pty Ltd.

Address: Unit 60, 170 Forster Road, Mount Waverley VIC 3149, Australia  
TEL : +61 (03) 9544-6587  
E-MAIL : sales@thermaltake.com.au  
www.thermaltake.com.au

##### Thermaltake Russia Representative Office

Address : Russia, 115172 Moscow, Bolsnie Kamenshiki St., 8 bld.  
TEL : +7-495-739-5915  
E-MAIL : info@thermaltakerussia.ru  
ru.thermaltake.com