



Headquarters

Thermaltake Technology Co., Ltd.

Address: 5F., No.185, Sec. 2, Tiding Blvd., Neihu Dist.,
Taipei City 114, Taiwan (R.O.C.)
TEL : +886-2-8797-5788 FAX : +886-2-8797-8055
E-MAIL : info@thermaltake.com
www.thermaltake.com

Overseas Branches

Thermaltake (U.S.A.) Inc.

Address: 20420 Business Parkway, City of Industry, CA 91789, USA
TEL : +1-626-968-9189 FAX : +1-626-968-7659
SUPPORT: +1 800-988-1088
E-MAIL : sales@thermaltakeusa.com
www.thermaltakeusa.com

Thermaltake Germany GmbH

Address: Oststrasse 26, 22844 Norderstedt, Germany
TEL : +49(0)40/30-85-86-0 FAX : +49(0)40/30-85-86-89
E-MAIL : info@thermaltake.de
de.thermaltake.com

Thermaltake Capital Beijing Co., Ltd.

Address: #907, HaiTai Plaza, No. 229, North 4th Ring Road,
Haidian District, Beijing, 100083, PRC
TEL : +86-10-8288-3159 FAX : +86-10-8288-3302
E-MAIL : ttchina@thermaltake.com.cn
www.thermaltake.com.cn

Thermaltake Australia and New Zealand Pty Ltd.

Address: Unit 60, 170 Forster Road,
Mount Waverley VIC 3149, Australia
TEL : +61 (03) 9544-6587
E-MAIL : sales@thermaltake.com.au
www.thermaltake.com.au

Thermaltake Russia Representative Office

Address: Russia, 115172 Moscow, Bolshie Kamenshiki St., 8 bld.
TEL: +7-495-739-5915
E-MAIL : info@thermaltakerussia.ru
ru.thermaltake.com



LEVEL 20

Celebrate 20th Anniversary



Contents

Design Story	02
Design Concept	03
TT Gaming Station	05
Level 20 E-ATX Full Tower Chassis	08
Individual Aerodynamic Chamber Design	09
PSU Chamber	11
MB Chamber	11
Storage / LCS Chamber	12
Aluminum Modular Structural Statement with 4mm Thick Tempered Glass	14
Superior Hardware and LCS Expansion	15
Unparalleled Ventilation	17
Speed Transmission (USB 3.1 & USB 3.0)	18
Software Controllable TT RGB Family	20
Riing Plus RGB Controller	21
Riing Plus 14 RGB Fan	22
Lumi Plus LED Strip	22
DMD : Dismantlable Modular Design	24
Level 20 Radiator Support List	26
Level 20 Fan Support List	28
Specification	30
TT Premium.com	32



LEVEL 20

Celebrate 20th Anniversary

Design Story

Thermaltake has been evolving continuously over the past two decades in the PC DIY industry. From developing thermal ventilation optimization, gaming oriented design to architectural aesthetics, we never stop striving to provide the best to the consumers. Thermaltake, while constantly improves on the PC hardware components, also always advocate for the Modding community. We understand the importance of appreciating innovation and maker movement, so we continually support and work with modders to advance the PC DIY industry together.

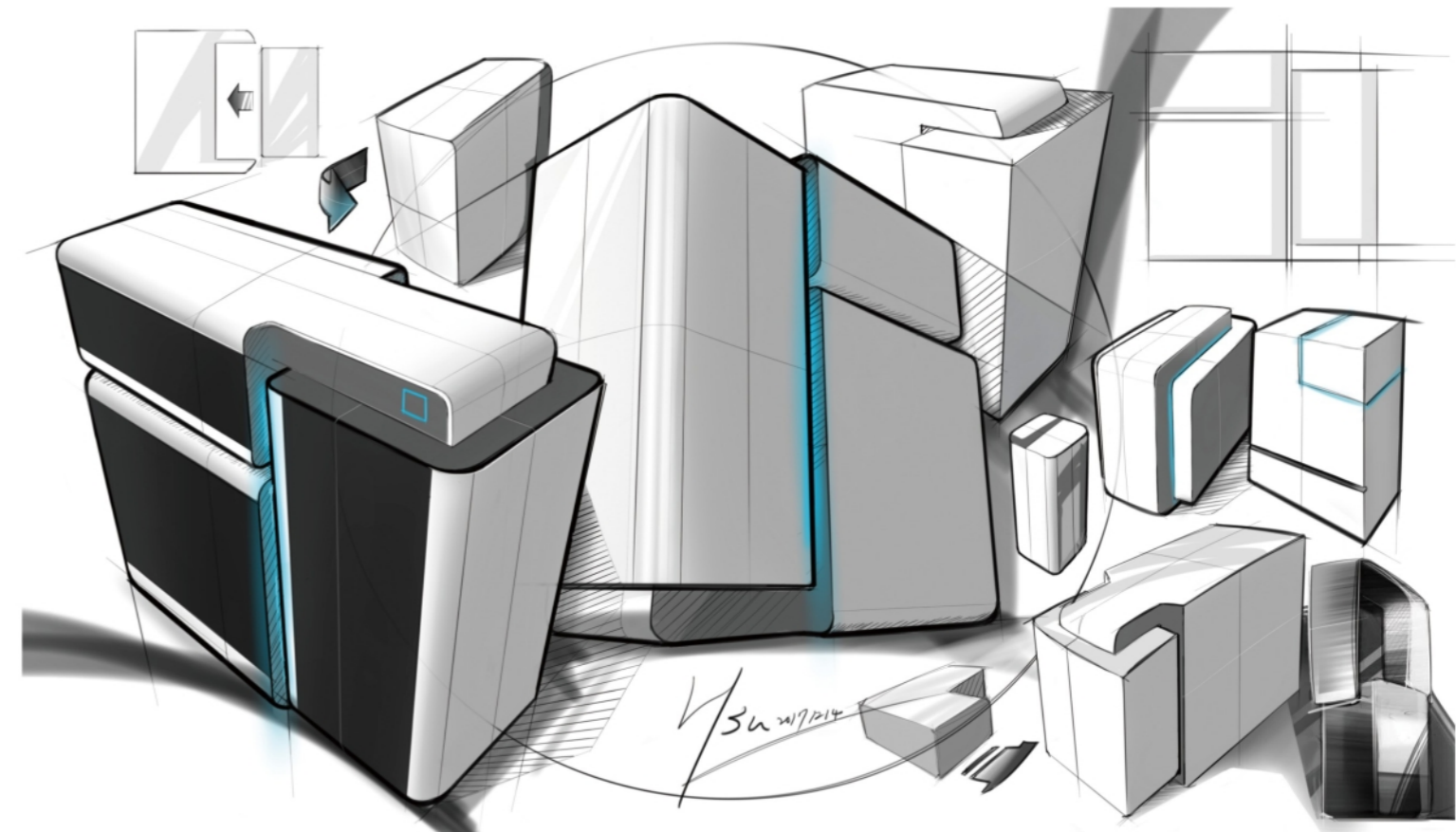
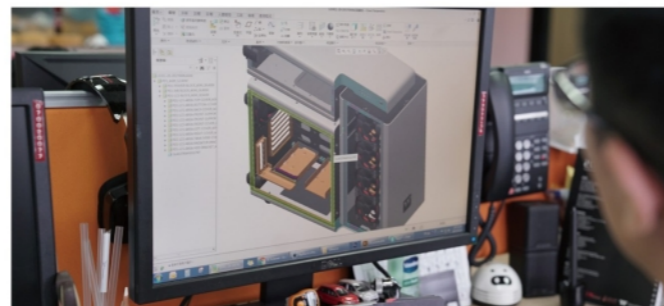
To help us celebrate our 20th anniversary and reflect on our achievements, we gathered all the successful elements on what we have learned over the past two decades and combine with the latest trends in the market to form Level 20.

Design Concept

Thermaltake embraces our deep-rooted core values, PC cooling. It is the rudiment that Thermaltake is built on, wanting to focus on ventilation optimization, we decided to bring back the highly adored individual compartmental design from its predecessor, Level 10. With excellent airflow and the capacity to house outstanding amount of liquid and air cooling system, Level 20 is a superior ventilation optimum chassis.

We also recognize the importance of innovative flexibility for the hardcore gamers and DIY PC lovers today. With that in mind, we incorporated various flexible mechanisms such as interchangeable panels and versatile components placements. The flexibility provides incredible modding potential for modders and enthusiasts.

Being the trend-leading figure in the PC industry, Thermaltake incorporated the latest AI software control technology into Level 20. The voice command software system can control the three Riing Plus 14 RGB fans, two Lumi Plus LED strips, and other TT RGB products. The illumination system made Level 20 the latest addition to our gorgeous TT RGB Family.



TT Gaming Station

Level 20 allows gamers to experience the ultimate gaming experience with its unparalleled functionality, optimum ventilation, and inherent architectural aesthetics.





Level 20 E-ATX Full Tower Chassis

Level 20 is an embodiment of Thermaltake's cultural foundation, user-friendly consideration, structural aesthetics, and technology advancement. The aluminum framed exterior with RGB illumination system provide an elegant and futuristic ambient. The individual compartmental design while structural aesthetical, also modulates the airflow to perfection. The use of high quality tempered glass creates an open modular appearance that allows visibility of the internal components.

From ventilation-focused compartmental design with tempered glass to software controllable illumination system, Level 20 is the true production of traditional refinement and contemporary mechanism. Thermaltake is proud to introduce this exceptionally designed chassis to all the gamers and enthusiasts.

Individual Aerodynamic Chamber Design

Level 20 utilizes trio chamber design to achieve ventilation and space management optimization. By separating PSU, Motherboard, and Storage/LCS into different compartments, Level 20 creates a unique component landscape to efficiently channel the airflow away from each main heat source and to celebrate the ensemble of the individual modules.

PSU Chamber



Storage/LCS Chamber

MB Chamber

PSU Chamber

Level 20 supports both vertical and horizontal PSU orientations, allowing versatile placement options. The PSU chamber features aluminum mesh panel to ensure thorough airflow and ventilation of the PSU.

MB Chamber

Level 20 assures exceptional expendability, the motherboard chamber can support up to E-ATX motherboard and 360mm radiator as well as 3 x 120 or 2 x 140 mm fans. The motherboard chamber can also institutes riser cable or AIO liquid cooling systems.



Storage/LCS Chamber

In the spirit of encouraging innovation and flexibility, Level 20's third chamber is capable of institutes powerful data management or liquid-cooling solution system. The tempered glass door is perfect for showcasing components while the aluminum mesh panel ensures supreme airflow.

Tempered
Glass



Aluminum Modular Structural Statement with 4mm Thick Tempered Glass

Level 20 features aluminum panels created by high precision CNC digital cutting to ensure chassis security while providing futuristic gaming essence. The aluminum anodizing process establishes water and corrosion resistant panels. The aluminum casing utilizes CNC milling technology and was sandblasted to construct elegant and sleek curves. Three hinged swing-doors with premium-quality 4mm thick tempered glass design guarantees window durability and viewing capability to encourage users to thoroughly display superb inner components.

Superior Hardware and LCS Expansion

The super tower is entailed with detailed functionality and immense storage with up to eleven drive locations for 3.5" or 2.5" devices.

6 in LCS chamber



3 at the back of MB chamber

2 in front of MB chamber

Level 20 also supports up to E-ATX motherboards, comes with cooling fitment for CPU coolers up to 200mm in height, VGA lengths up to 310mm and PSU sizes up to 220mm in length. Level 20 enables users to build extreme air/liquid cooling systems with high-end, large graphics cards and incomparable storage.



Unparalleled Ventilation

Constructed with individual chambers and aluminum mesh panels design, along with three preinstalled Riing Plus 14 RGB fans, Level 20 ensures the heat produced by each main heat source is efficiently dissipates, modulate the airflow to perfection. Moreover, the isolation of high capacity radiators and fans allows additional interior space without compromising on maximum cooling performance.



Speedy Transmission

(USB 3.1 & USB 3.0)

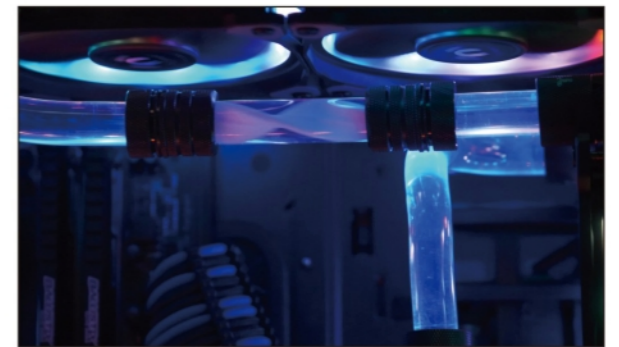
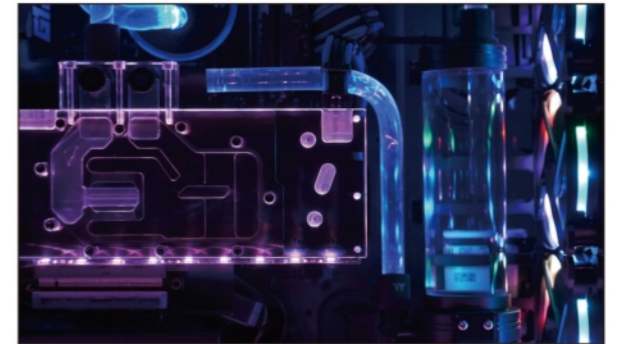
Thermaltake doesn't hesitate when it comes to pursuing the latest trend in the industry that can improve our products. Level 20 is installed with type-C USB 3.1 port to provide 10G of transmission speed. USB 3.0 ports are also included.





Software Controllable TT RGB Family

As the latest addition to the TT RGB Family, Level 20 incorporates three Riing Plus 14 RGB Fans, two Lumi Plus LED Strips, and one Riing Plus RGB Controller, all can be monitored and customized by Riing Plus RGB Software.





Riing Plus RGB Controller

Level 20 comes with three Riing Plus 14 RGB fans and two Lumi Plus LED strips. Riing Plus RGB Controller allows users to monitor the fan performance, adjust the fan speeds, and customize the Lumi Plus LED lighting effects for Thermaltake Plus RGB liquid cooling products.



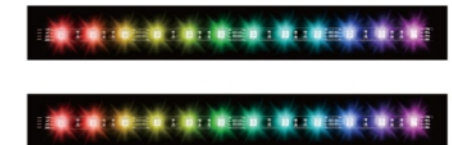
Riing Plus 14 RGB Fan

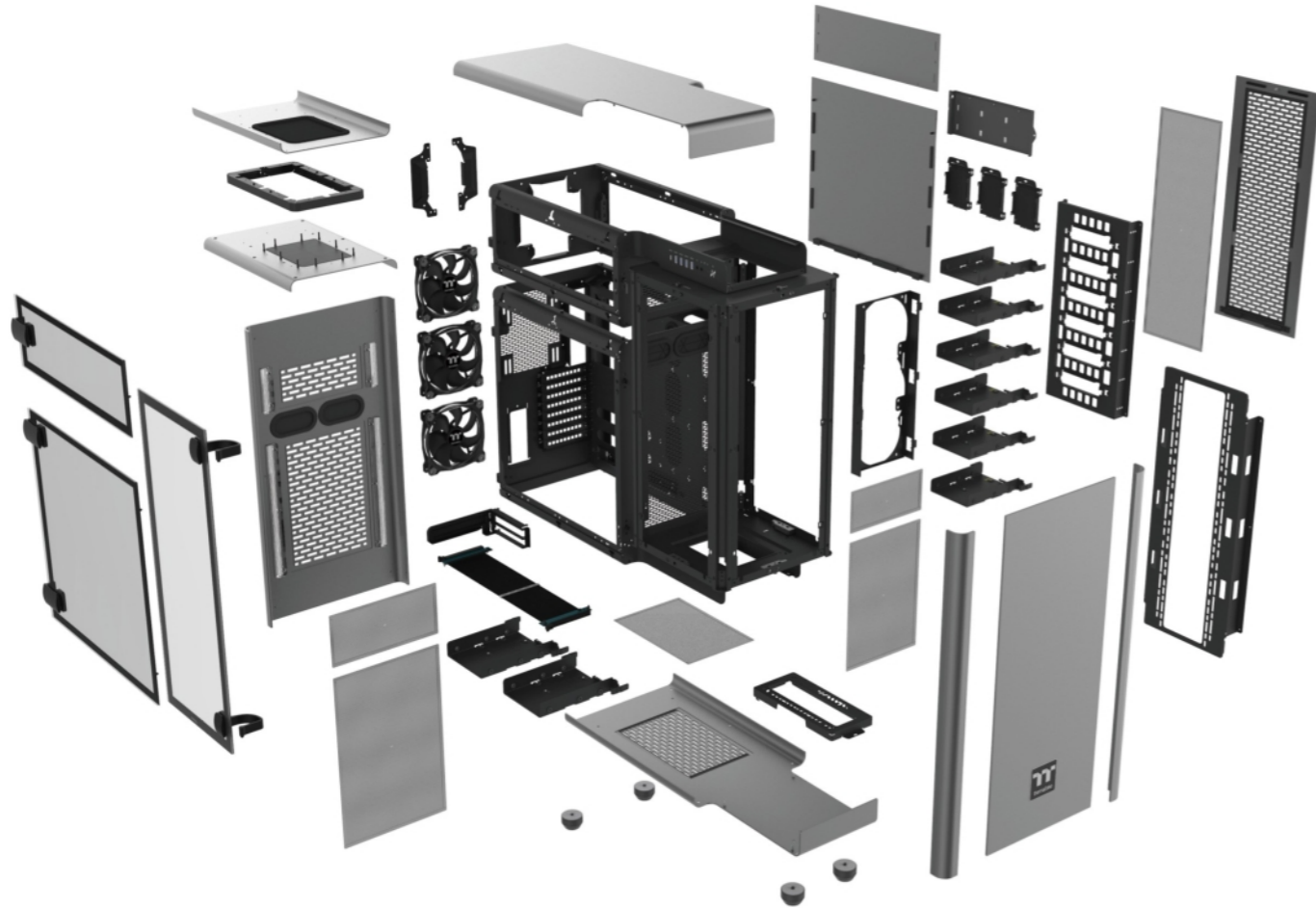
Level 20 features three built in Riing Plus 14 LED RGB Radiator Fans. The unparalleled patented 16.8 million colors LED rings, 12 addressable LEDs, compression blades and hydraulic bearing can be digitally controlled by the Riing Plus RGB Software.



Lumi Plus LED Strip

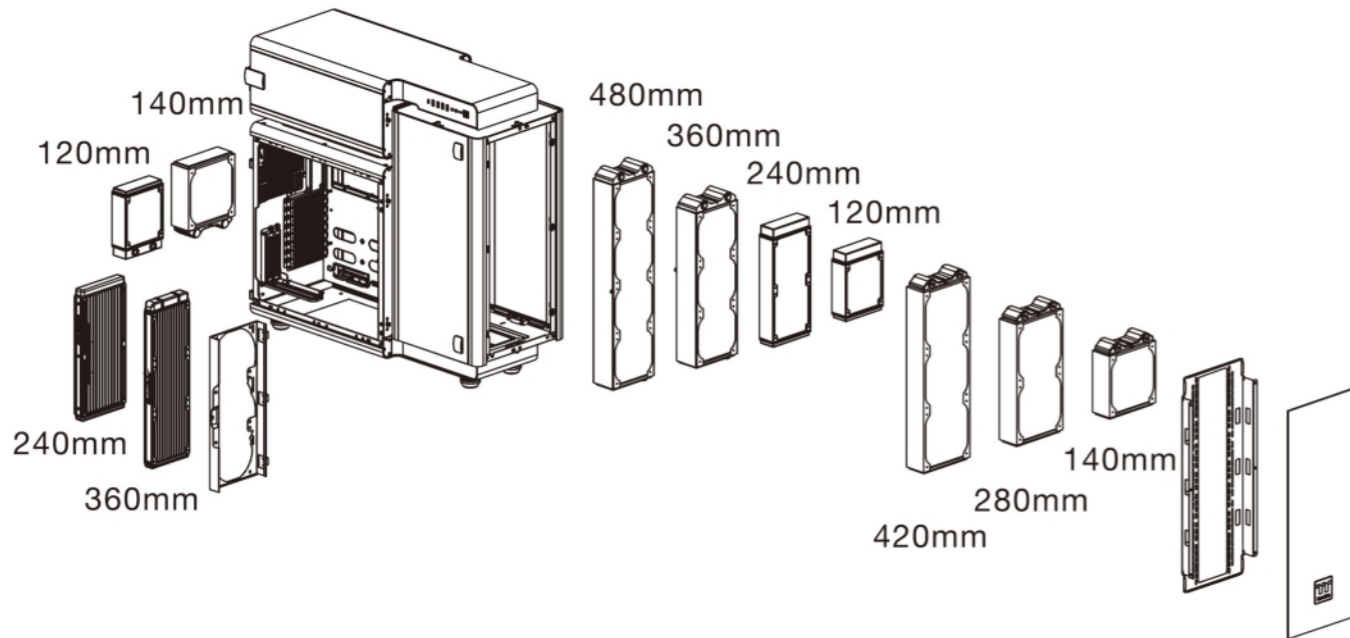
Two Lumi Plus LED strips light up Level 20 with 16.8 million illumination display colors, and can be controlled by the patented Riing Plus RGB Software.





DMD : Dismantlable Modular Design

Level 20 enables user to freely build the system from the ground up with given modular panels, racks, brackets, and pre-design mounting arrays. No more unreachable screw corners or gaps and enjoys installation in a breeze with Dismantlable Modular Design.



Level 20 Radiator Support List

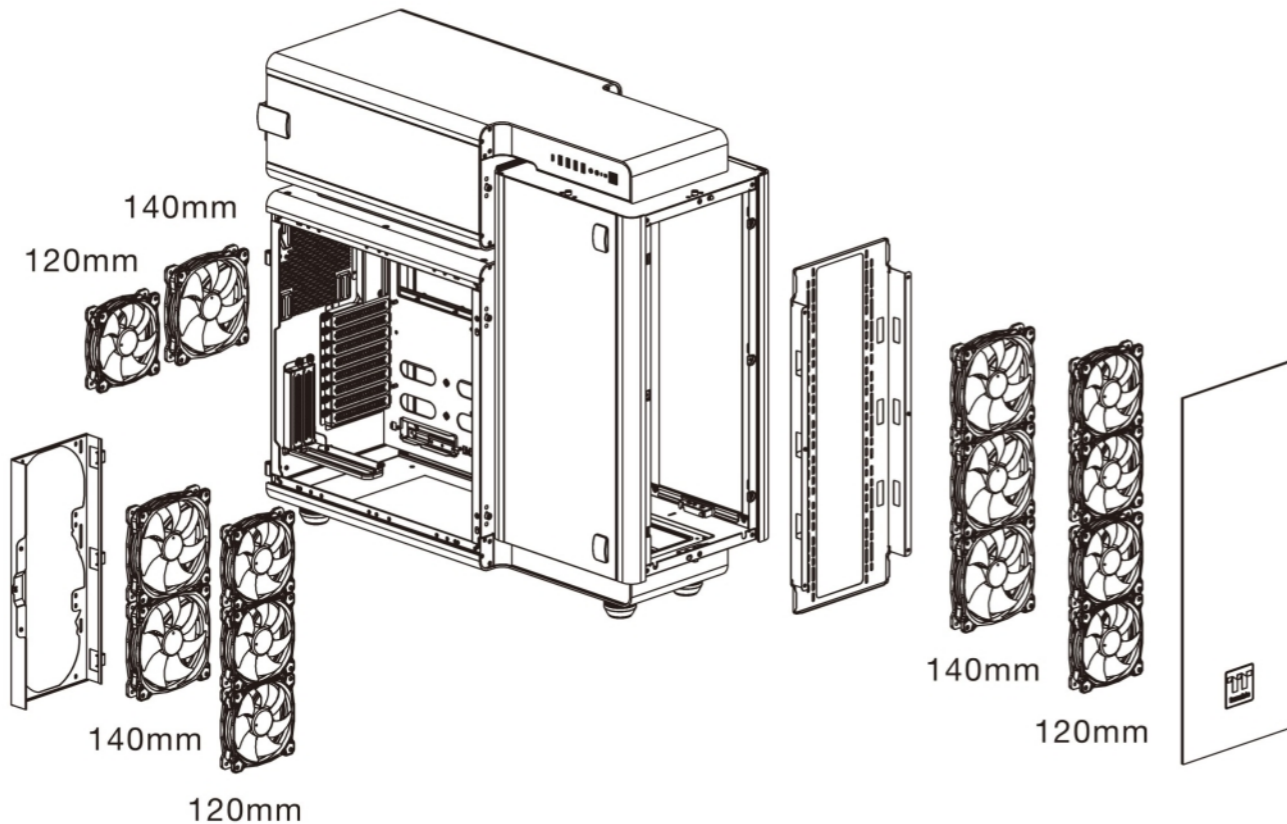
MB Chamber

Radiator Compatibility List						
	120mm	240mm	360mm	140mm	280mm	420mm
Front	●	●	●	●	●	-
Rear	●	-	-	●	-	-

All-in-One Compatibility List (Water 3.0 and Floe series)						
	Performer	Pro	240 Series	360 Series	140 Series	280 Series
Front	●	●	●	●	●	●
Rear	●	●	-	-	●	-

LCS Chamber

Radiator Compatibility List						
	120mm	240mm	360mm	140mm	280mm	420mm
Right	●	●	●	●	●	●



Level 20 Fan Support List

MB Chamber

Radiator Compatibility List		
	120mm	140mm
Front	3	2
Rear	1	1

Thermaltake Compatible Fan		
	120mm	140mm
Pure FAN Series	●	●
Luna FAN Series	●	●
Riing FAN Series	●	●

LCS Chamber

Fan Compatibility List		
	120mm	140mm
Right	4	3

Thermaltake Compatible Fan		
	120mm	140mm
Pure FAN Series	●	●
Luna FAN Series	●	●
Riing FAN Series	●	●

LEVEL 20

Celebrate 20th Anniversary



Specification

Model	Level 20
P/N	CA-1J9-00F2WN-00
Case Type	Full Tower
Dimension (H*W*D)	732 x 280 x 688 mm (28.8 x 11 x 27.1 inch)
Net Weight	27.2 kg / 59.97 lb
Side Panel	4mm Tempered Glass x 3 (Left)
Color	Exterior: Space Gray(Aluminum) ; Interior : Black
Material	SPCC + Aluminum
Cooling System (Main Area)	Rear (exhaust) : 140 x 140 x 25 mm Riing Plus RGB fan (500-1400rpm, 27.2dBA) Front (intake) : 140 x 140 x 25 mm Riing Plus RGB fan (500-1400rpm, 27.2dBA) x 2
Drive Bays - Accessible - Hidden	2.5" or 3.5"x6 (HDD Cage) 2.5" x 3(HDD Bracket), 2.5" x 2 or 3.5" x 2
Expansion Slots	8 + 2
Motherboards	6.7" x 6.7" (Mini ITX), 9.6" x 9.6" (Micro ATX), 12" x 9.6" (ATX), 12" x 13"(E-ATX)
I/O Port	USB 3.0 x 4, Type-C x 1, HD Audio x 1
PSU	Standard PS2 PSU (optional)
Fan Support	LCS Area : 4 x 120mm , 3 x 140mm Main Area : Front : 3 x 120mm , 2 x 140mm Rear : 1 x 120mm, 1 x 140mm
Radiator Support	LCS Area : 1 x 480mm , 1 x 420mm Main Area: Front : 1 x 360mm , 1 x 280mm Rear : 1 x 120mm, 1 x 140mm
Clearance	CPU cooler height limitation : 200mm VGA length limitation : 260mm(With Thick Radiator + Fan) 310mm(Without Radiator) PSU length limitation : 220mm
Accessory	1 x Riing Plus RGB Controller 2 x Lumi Plus LED Strip

TT Premium.com

Thermaltake TT Premium, the most professional online shop for PC enthusiasts, has expanded its footprint to over 100 countries and territories by launching TT Premium Europe , TT Premium Australia , TT Premium Taiwan and TT Premium China. Established in 2016, TT Premium has always adhered to Thermaltake’s core mission to create values for its customers by providing exceptional high-end products, including Chassis, Liquid Cooling Solutions, Power Supplies, Gaming Chairs and Keyboards.

TT Premium

Global	http://tppremium.com
Europe	https://tppremium.eu
Australia	https://tppremium.com.au
Taiwan	https://tppremium.com.tw
China	https://tppremium.com.cn
Asia	https://asia.tppremium.com



shipping to more than 100 countries
around the globe with **premium** product quality

